

SEABRIGHT®

MARINE BRIGHT SOLUTIONS

# CONTENTS

---

4-9	LED FLOODLIGHTS
11-15	EXPLOSION PROOF LIGHTS
17-22	OUTDOOR LIGHTS
23-44	INDOOR LIGHTS
45-50	EMERGENCY LIGHTS
51-56	NAVIGATION LIGHTS
57-61	BRASS LIGHTS

## ABOUT

Founded in 1983 by Mr. Anastasios Mallios, who identified the market need for branded and **high-quality products** in the field of maritime lighting in Greece.

The original goal of the company was designing, manufacturing and trading lighting and general electrical equipment, for use on board, maintaining the highest possible standards on every level.

The goals that followed were aimed towards developing the most complete retail wholesale company in Greece. This being the case, apart from exclusive representing the most prestigious electrical equipment brands in the Greek market, the decision was to develop a world where Seabright would attract the interest of international clients.

Today, SeaBright is a leader in the Greek and European market, with **40 years of experience** in lighting and electrical equipment. All of our products are designed and produced to meet all the maritime requirements and are certified by global leaders classification societies.

Our headquarters, in Greece, are developing and producing products with advanced technology equipment, within a space of 3.500 sqm., thus **100% MADE IN GREECE**.

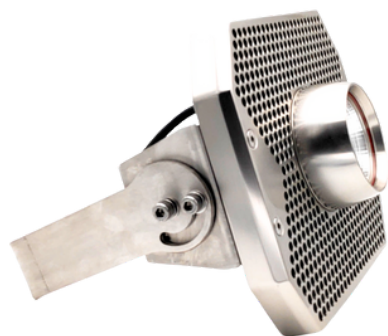


**MADE IN GREECE**



POWERFUL LED FLOODLIGHTS

# APOLLO 50



- LED
- IP67
- 55W

Multipurpose floodlight for engine rooms, weather-exposed areas, cargo holds, decks, stores, workshops, industrial areas.


Designed according to rules of maritime classification societies and relevant standards.



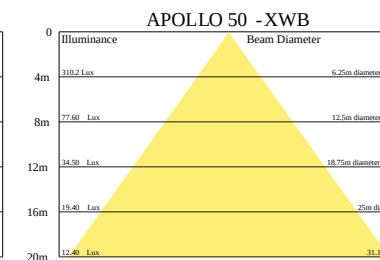
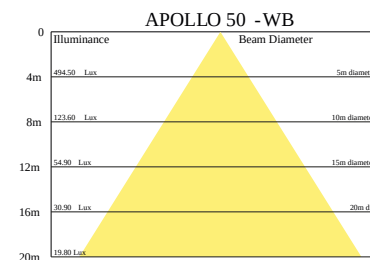
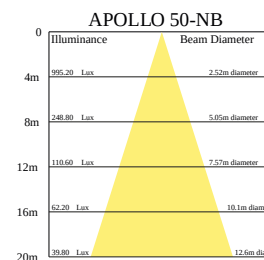
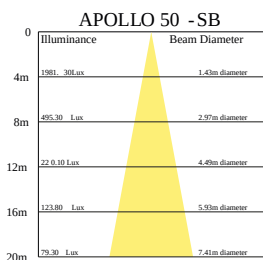
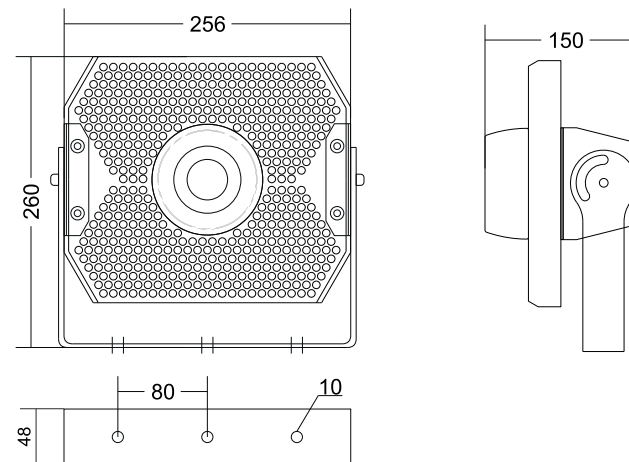
5 YEAR WARRANTY



VIBRATION TESTED



BV APPROVED



## TECHNICAL DATA

### HOUSING

- Anodized marine grade aluminum
- Diffuser made of safety glass

### LAMPS

- LED Module 8.600LM

### MOUNTING

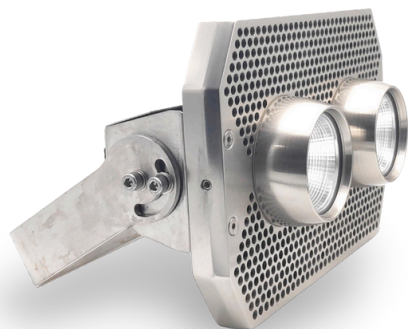
- Stainless Steel bracket

### ELECTRIC

- 90-305VAC, 50-60HZ

CODE	WATTAGE	VOLTAGE	FREQUENCY	BEAM
APOLLO 50-SB	55W	90-305V	50-60HZ	21°
APOLLO 50-NB	55W	90-305V	50-60HZ	35°
APOLLO 50-WB	55W	90-305V	50-60HZ	64°
APOLLO 50-XWB	55W	90-305V	50-60HZ	75°

# APOLLO 100

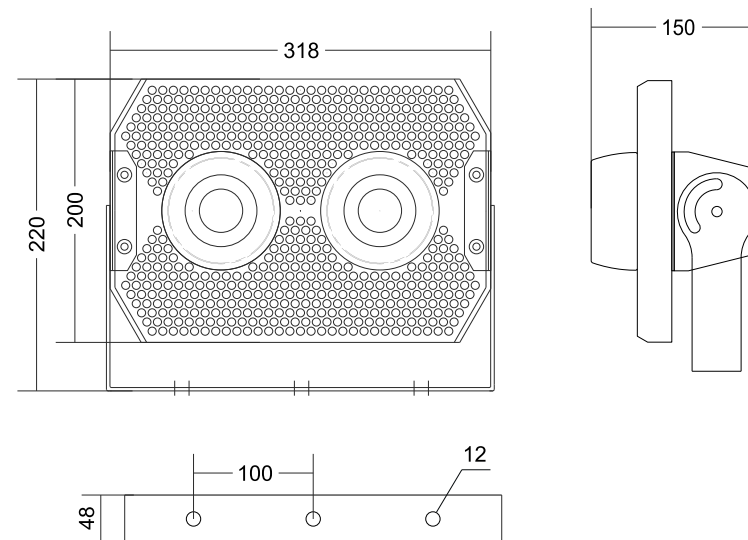


LED IP67 110W



SEABRIGHT®  
MARINE BRIGHT SOLUTIONS

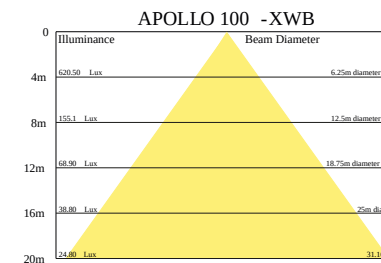
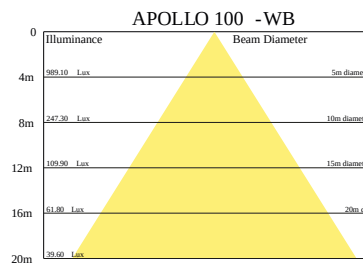
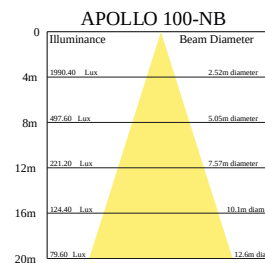
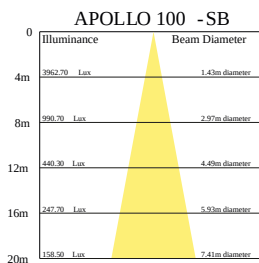
DIMENSIONS



Multipurpose floodlight for engine rooms, weather-exposed areas, cargo holds, decks, stores, workshops, industrial areas.

Designed according to rules of maritime classification societies and relevant standards.

## TECHNICAL DATA



### HOUSING

- Anodized marine grade aluminum
- Diffuser made of safety glass

### LAMPS

- LED Module 17.200LM

### MOUNTING

- Stainless Steel bracket

### ELECTRIC

- 90-305VAC, 50-60HZ

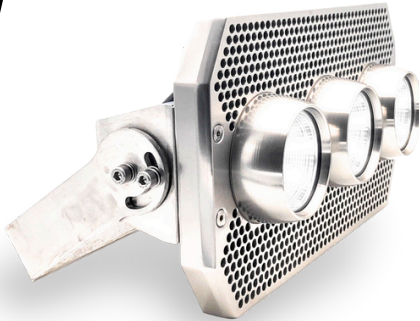
CODE	WATTAGE	VOLTAGE	FREQUENCY	BEAM
APOLLO 100-SB	110W	90-305V	50-60HZ	21°
APOLLO 100-NB	110W	90-305V	50-60HZ	35°
APOLLO 100-WB	110W	90-305V	50-60HZ	64°
APOLLO 100-XWB	110W	90-305V	50-60HZ	75°

POWERFUL LED FLOODLIGHTS

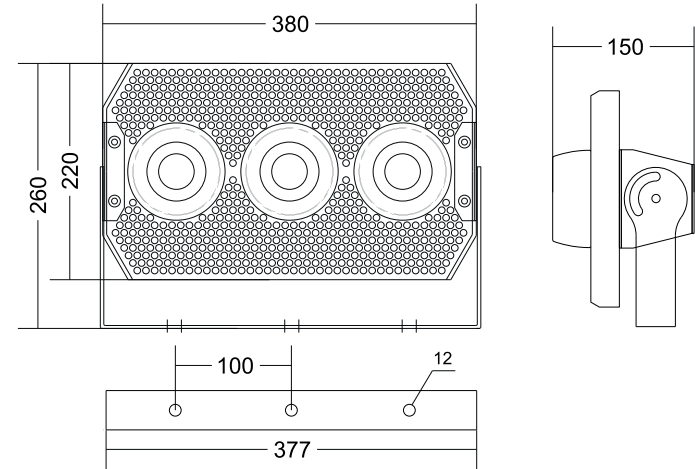


DIMENSIONS

# APOLLO 150



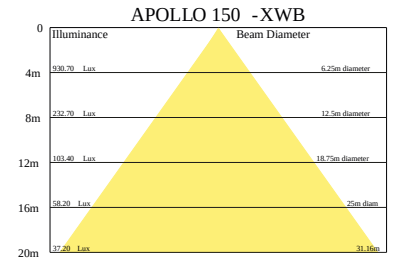
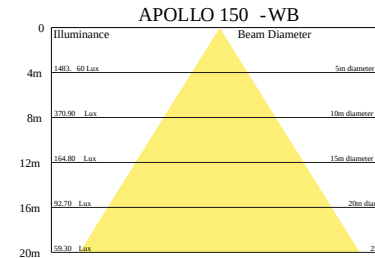
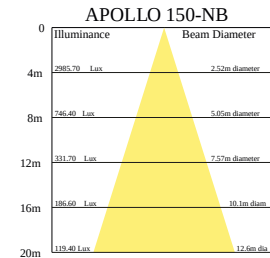
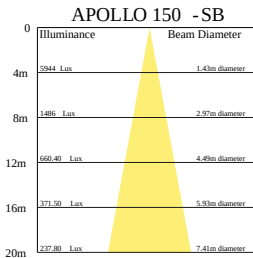
- LED
- IP67
- 160W



Multipurpose floodlight for engine rooms, weather-exposed areas, cargo holds, decks, stores, workshops, industrial areas.

Designed according to rules of maritime classification societies and relevant standards.

TECHNICAL DATA



HOUSING

- Anodized marine grade aluminum
- Diffuser made of safety glass

LAMPS

- LED Module 25.800LM

MOUNTING

- Stainless Steel bracket

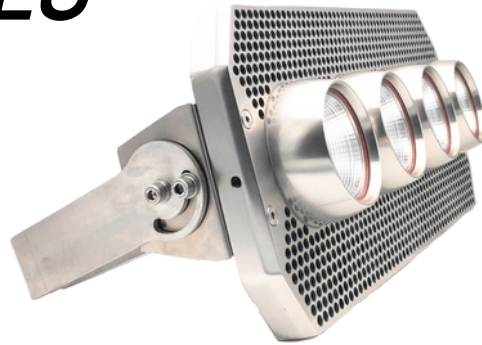
ELECTRIC

- 90-305VAC, 50-60HZ

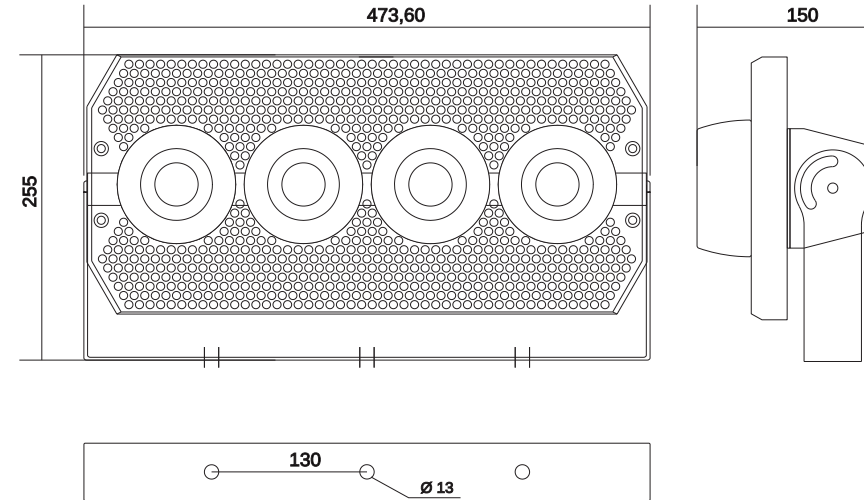
CODE	WATTAGE	VOLTAGE	FREQUENCY	BEAM
APOLLO 150-SB	160W	90-305V	50-60HZ	21°
APOLLO 150-NB	160W	90-305V	50-60HZ	35°
APOLLO 150-WB	160W	90-305V	50-60HZ	64°
APOLLO 150-XWB	160W	90-305V	50-60HZ	75°



# APOLLO 200



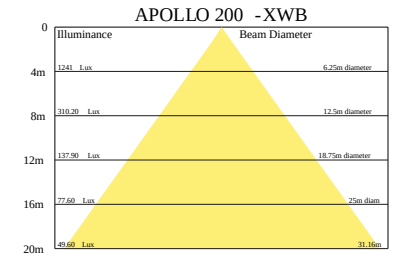
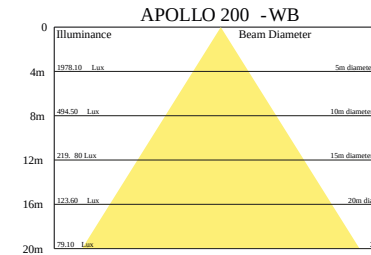
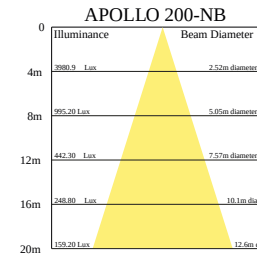
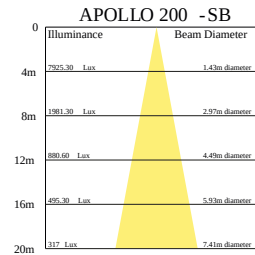
LED IP67 210W



Multipurpose floodlight for engine rooms, weather-exposed areas, cargo holds, decks, stores, workshops, industrial areas.

Designed according to rules of maritime classification societies and relevant standards.

## TECHNICAL DATA



### HOUSING

- Anodized marine grade aluminum
- Diffuser made of safety glass

### LAMPS

- LED Module 34.400LM

### MOUNTING

- Stainless Steel bracket

### ELECTRIC

- 90-305VAC, 50-60Hz

### CODE

### WATTAGE

### VOLTAGE

### FREQUENCY

### BEAM

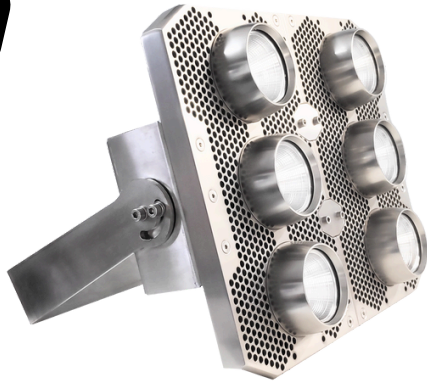
CODE	WATTAGE	VOLTAGE	FREQUENCY	BEAM
APOLLO 200-SB	210W	90-305V	50-60HZ	21°
APOLLO 200-NB	210W	90-305V	50-60HZ	35°
APOLLO 200-WB	210W	90-305V	50-60HZ	64°
APOLLO 200-XWB	210W	90-305V	50-60HZ	75°

POWERFUL LED FLOODLIGHTS



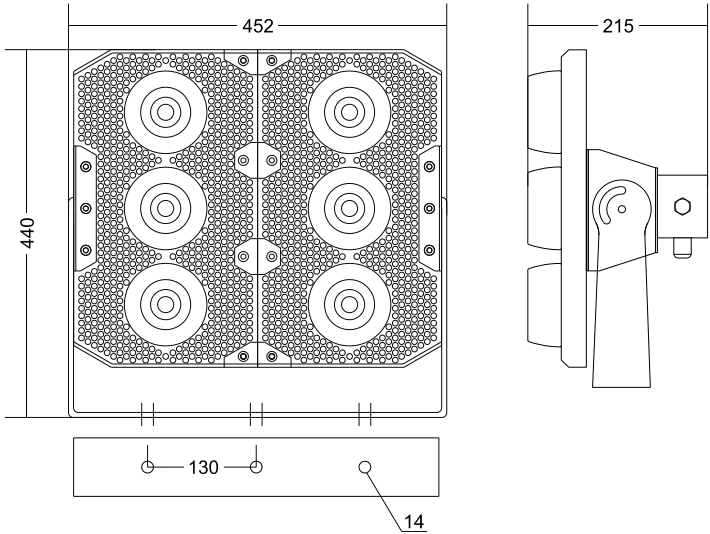
DIMENSIONS

# APOLLO 300



- LED
- IP67
- 325W

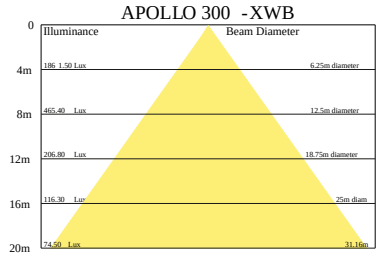
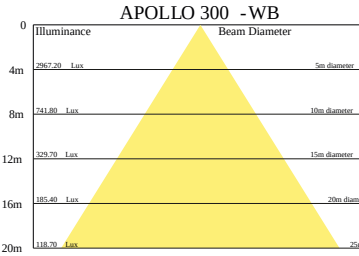
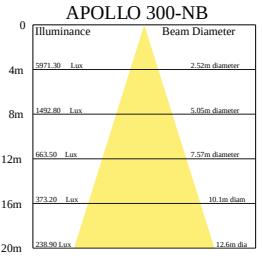
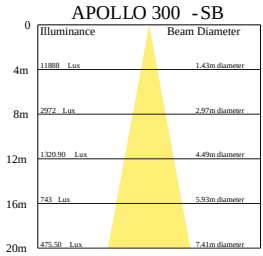
- 5 YEAR WARRANTY
- VIBRATION TESTED
- BV APPROVED



Multipurpose floodlight for engine rooms, weather-exposed areas, cargo holds, decks, stores, workshops, industrial areas.

Designed according to rules of maritime classification societies and relevant standards.

TECHNICAL DATA



HOUSING

- Anodized marine grade aluminum
- Diffuser made of safety glass

LAMPS

- LED Module 51.600LM

MOUNTING

- Stainless Steel bracket

ELECTRIC

- 90-305VAC, 50-60HZ

CODE	WATTAGE	VOLTAGE	FREQUENCY	BEAM
APOLLO 300-SB	325W	90-305V	50-60HZ	21°
APOLLO 300-NB	325W	90-305V	50-60HZ	35°
APOLLO 300-WB	325W	90-305V	50-60HZ	64°
APOLLO 300-XWB	325W	90-305V	50-60HZ	75°

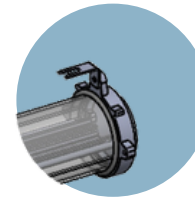
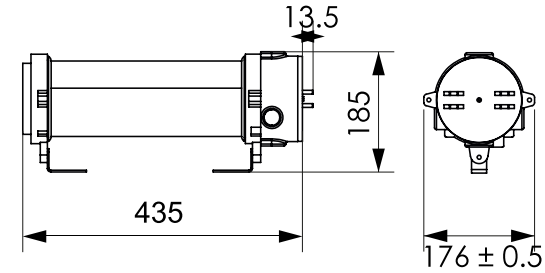
# SEABRIGHT®

MARINE BRIGHT SOLUTIONS



EXPLOSION PROOF LIGHTING

# SPECTRUMx LED 28-4-45



2 STAINLESS STEEL BRACKETS  
MOUNTING

- LED
- IP67
- 3W
- EMERGENCY

Emergency lighting fixture.  
Featuring Aluminium body and stainless steel AISI 316L brackets, our unit is 100% repairable, even after its warranty period.

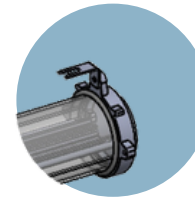
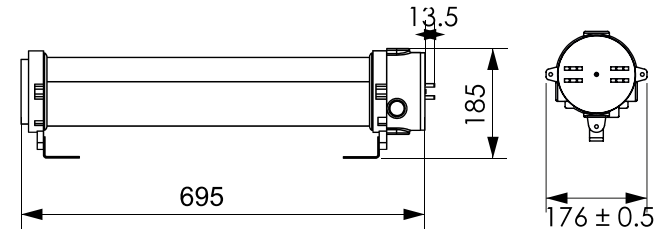
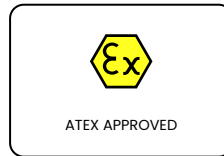
## TECHNICAL DATA

- | PROTECTIVE ZONE | LIGHT OUTPUT | MOUNTING       | ELECTRIC            | OPTIONS         |
|-----------------|--------------|----------------|---------------------|-----------------|
| • Zone 1,2      | • 312 LM     | • 2X M10 bolts | • 220-240V, 50-60HZ | • Different CCT |

CODE	WATTAGE	VOLTAGE	FREQUENCY	MARKING
SPECTRUMX LED 28-4-45	3W	220-240V	50-60HZ	II 2G EX D IIB+H2 T6 GB IP6X

# SPECTRUMx LED 56-4

LED IP66 18W



2 STAINLESS STEEL BRACKETS MOUNTING

Featuring Aluminium body and stainless steel AISI 316L brackets, our unit is 100% repairable, even after its warranty period.

## TECHNICAL DATA

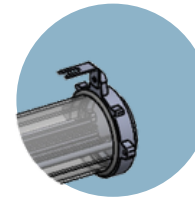
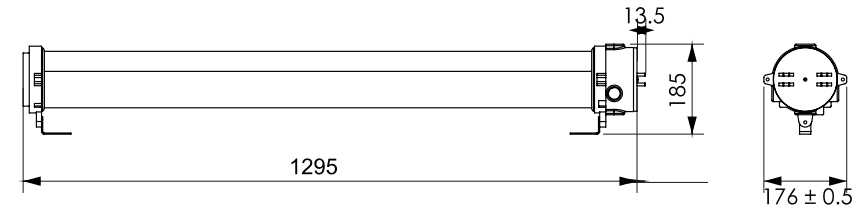
ON REQUEST 3 hours back-up battery

PROTECTIVE ZONE	LIGHT OUTPUT	MOUNTING	ELECTRIC	OPTIONS
• Zone 1,2	• 2500LM	• 2X M10 bolts	• 220-240V, 50-60HZ	• Different CCT

CODE	WATTAGE	VOLTAGE	FREQUENCY	MARKING
SPECTRUMX LED 56-4	18W	220-240V	50-60HZ	EX II 2G EXDB IIC T6 GB

# SPECTRUMx LED 112-4

LED IP66 33W



2 STAINLESS STEEL BRACKETS MOUNTING

Featuring Aluminium body and stainless steel AISI 316L brackets, our unit is 100% repairable, even after its warranty period.

## TECHNICAL DATA

ON REQUEST 3 hours back-up battery

**PROTECTIVE ZONE**

- Zone 1,2

**LIGHT OUTPUT**

- 5000LM

**MOUNTING**

- 2X M10 bolts

**ELECTRIC**

- 220-240V, 50-60HZ

**OPTIONS**

- Different CCT

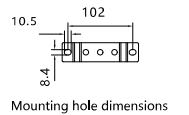
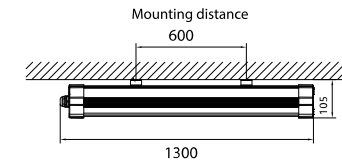
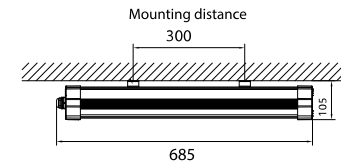
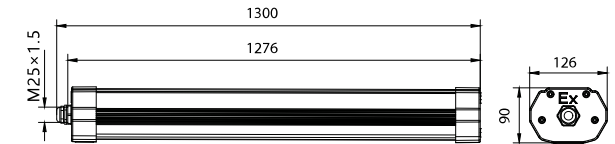
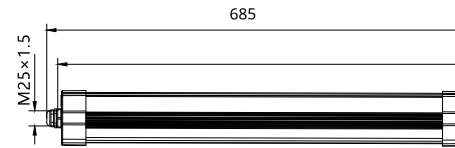
CODE	WATTAGE	VOLTAGE	FREQUENCY	MARKING
SPECTRUMX LED 112-4	33W	220-240V	50-60HZ	EX II 2G EXDB IIC T6 GB

EXPLOSION PROOF  
WATERTIGHT LIGHTING

# KLE-1011



LED IP66 36W



KLE-1011

SEABRIGHT®  
MARINE BRIGHT SOLUTIONS

## DIMENSIONS

Explosion proof LED luminaire, surface mounting for Zone 1 and 2.

## TECHNICAL DATA

### PROTECTIVE ZONE

- Zone 1,2

### LIGHT OUTPUT

- 4212LM to 4680LM

### MOUNTING

- Stainless Steel brackets

### LAMPS

- LED Module

### HOUSING

- Anodized aluminum
- Polycarbonate diffuser

### CABLE ENTRY

- Cable glands M25 (X2)

### MARKING

II 2G EX EB MBOP IS IIC T5 T6 GB  
II 2D EX OP IS TB IIIC T80°C DB

CODE	WATTAGE	VOLTAGE	FREQUENCY	CCT	CRI	LUMEN
KLE 1011-2F	36W	100-277V	50-60HZ	4000K	>80	4212LM
KLE 1011-4F	36W	100-277V	50-60HZ	4000K	>80	4680LM



# SEABRIGHT®

MARINE BRIGHT SOLUTIONS



# OUTDOOR LIGHTING

SURFACE WATERTIGHT LUMINARY



TECHNICAL DATA

# POSEIDON LED



LED IP67



AMBIENT TEMPERATURE	-30 TO +45°C
VOLTAGE	220-240V
FREQUENCY	50-60 Hz
IP CLASSIFICATION	IP67
POWER CONSUMPTION	18 - 33W
SYSTEM LUMEN	2500 - 5000 LM
LED COLOR	3000-5000K, CRI>80
LIFETIME	72.000 Hr

Multipurpose LED luminaires for engine rooms, weather exposed areas, cargo holds, decks, stores, workshops, industrial areas.

TECHNICAL DATA

CODE	WATTAGE	CCT	CRI	LUMEN
POSEIDON LED-56-3	18W	3000K	>80	2500LM
POSEIDON LED-56-4	18W	4000K	>80	2500LM
POSEIDON LED-56-5	18W	5000K	>80	2500LM
POSEIDON LED-56-6	18W	6500K	>80	2500LM
POSEIDON LED-112-3	33W	3000K	>80	5000LM
POSEIDON LED-112-4	33W	4000K	>80	5000LM
POSEIDON LED-112-5	33W	5000K	>80	5000LM
POSEIDON LED-112-6	33W	6500K	>80	5000LM

**MOUNTING**

- Two holes Ø8 (additional mounting systems available, see the drawings)

**ELECTRIC**

- Flexible cable, heat resistant up to 105°C (additional electrical systems available, please see the order codes table)

**CABLE ENTRY**

- Two cable glands M20 and two stop plugs M20

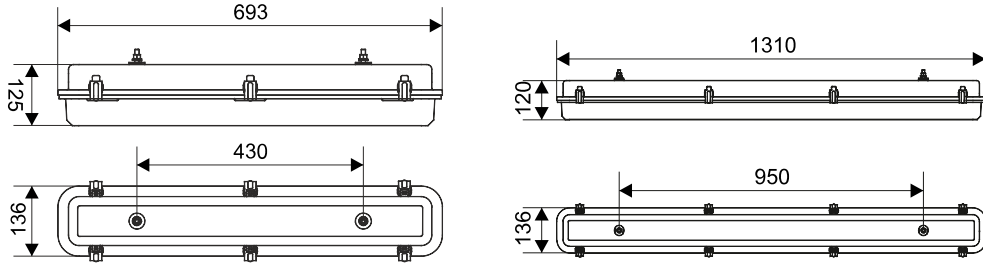
**CONNECTION**

- Pass through wiring
- Junction box (optional)
- Pass through with Wieland watertight connector (optional)

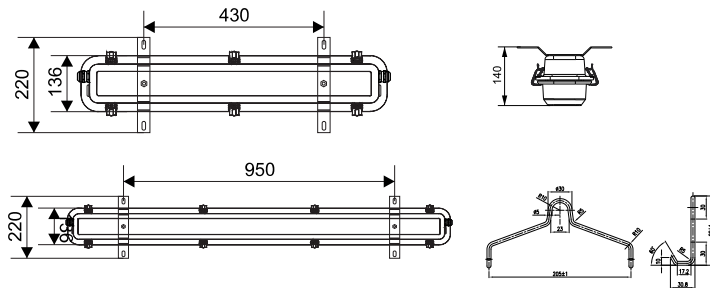
**HOUSING**

- Zinc coated steel, powder coated white RAL 9016 (stainless steel version available)
- Diffuser made of clear polycarbonate, UV stabilized (opal diffuser available)

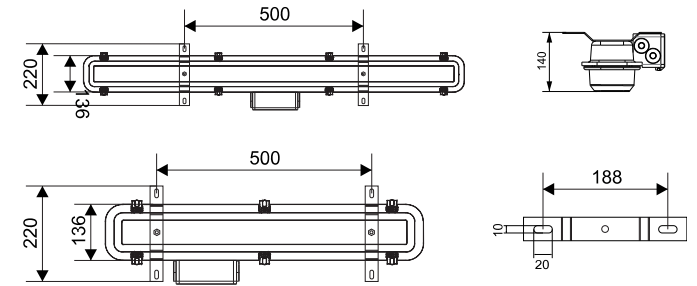
M8X35



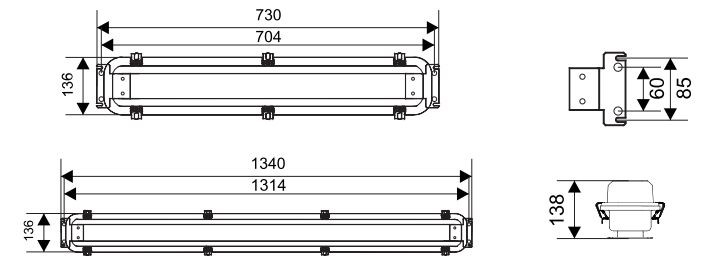
CB



CB-500



RB



# SOFIA LED



LED IP56

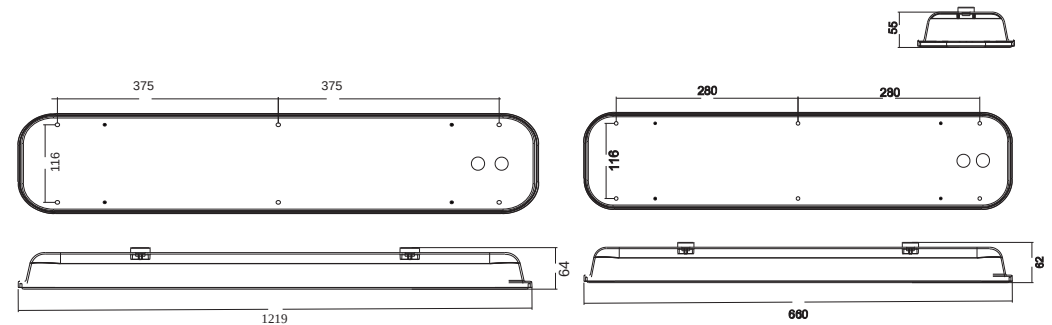
Surface luminary for kitchens, galleys, pantries and provision stores, where there are hygiene rules. Designed according to rules of USPH (U.S Public Health) and rules of maritime classification societies, additional VDE and IEC/EN.

### HOUSING

- Stainless Steel
- Polycarbonate diffuser, UV stabilized (opal diffuser available on request)

### MOUNTING

- 4 or 6 holes (please see the drawings)



## TECHNICAL DATA

CODE	WATTAGE	CCT	VOLTAGE	FREQUENCY	LUMEN
SOFIA LED-56-3	18W	3000K	220-240V	50-60HZ	2500LM
SOFIA LED-56-4	18W	4000K	220-240V	50-60HZ	2500LM
SOFIA LED-56-5	18W	5000K	220-240V	50-60HZ	2500LM
SOFIA LED-112-3	33W	3000K	220-240V	50-60HZ	5000LM
SOFIA LED-112-4	33W	4000K	220-240V	50-60HZ	5000LM
SOFIA LED-112-5	33W	5000K	220-240V	50-60HZ	5000LM

### ELECTRIC

- Flexible cable, heat resistant up to 105°C (additional electrical systems available, please see the order codes table)

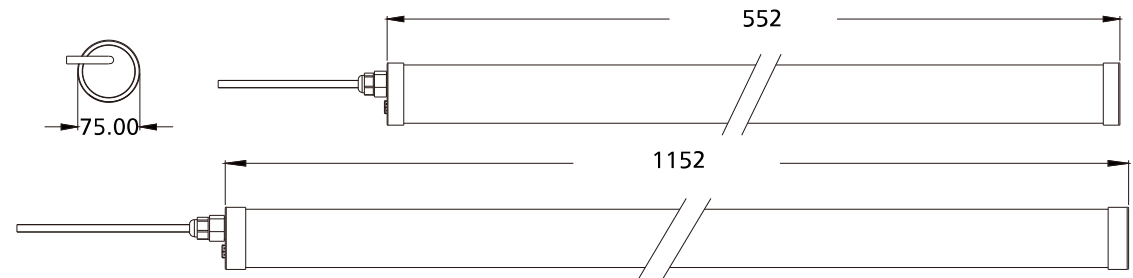
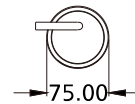
### CABLE ENTRY

- Two cable grommets M20

### CONNECTION

- Pass through wiring with push terminal 2,5 mm<sup>2</sup>
- Pass through with Wieland watertight connector

# TUBE LED



LED IP69K

Watertight cylindrical led light, suitable for harsh environments.

The battens use high lumen SMD chips and a high transmittance PMMA cover and give a uniform and soft light output. With waterproof IP69K connections at both ends, they can be linked and the special clip-on bracket design, makes an easy installation.

## TECHNICAL DATA

### HOUSING

- PPMA-Stainless Steel end cups

### CONNECTION

- Pass through wiring, IP69 Connectors (x2)

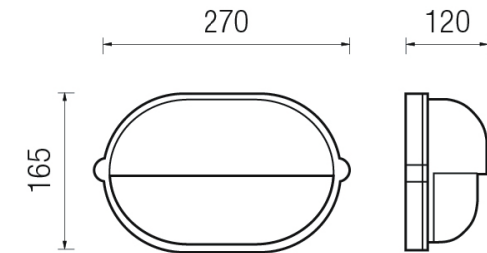
### MOUNTING

- Stainless Steel mounting kit (x2)

CODE	WATTAGE	VOLTAGE	FREQUENCY	CCT	CRI	LUMEN
TUBE LED 56-3	20W	220-240V	50-60HZ	3000K	>80	2600LM
TUBE LED 56-4	20W	220-240V	50-60HZ	4000K	>80	2600LM
TUBE LED 112-3	40W	220-240V	50-60HZ	3000K	>80	5200LM
TUBE LED 112-4	40W	220-240V	50-60HZ	4000K	>80	5200LM

# OMICRON

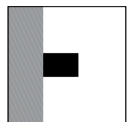
LED IP65



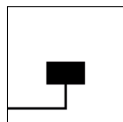
## Indoor & Outdoor luminaire constructed of:

- Painted die-cast aluminium body
- EPDM gasket
- Opal polycarbonate or sating glass diffuser
- Stainless Steel screws
- Aluminium reflector
- Painting using high resistance to UV and corrosion polyester powders

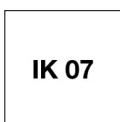
## TECHNICAL DATA



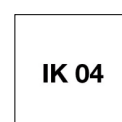
Wall Mounting



Single power supply cables input



**IK 07** Polycarbonate diffuser impact Energy (J):2



**IK 04** Glass diffuser impact Energy (J):2

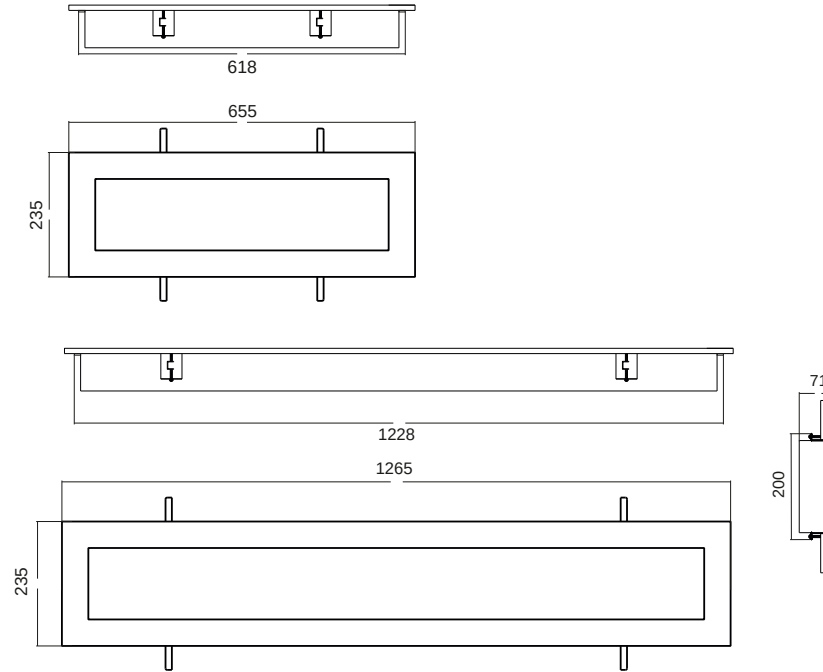
CODE	LAMPHOLDER	COLOR
OMICRON/W	E27	WHITE
OMICRON/B	E27	BLACK
OMICRON/S	E27	SILVER

# INDOOR LIGHTING



# IONIAN LED

LED IP20



## TECHNICAL DATA

**LIGHT OUTPUT**

- 2150LM TO 4300LM

**MOUNTING**

- 4 Mounting Brackets

**LAMPS**

- LED Module

**HOUSING**

- Zinc coated steel. Powder coated RAL9010
- Diffuser made of opal acrylic

**CABLE ENTRY**

- Cable inlets 20mm (X2)

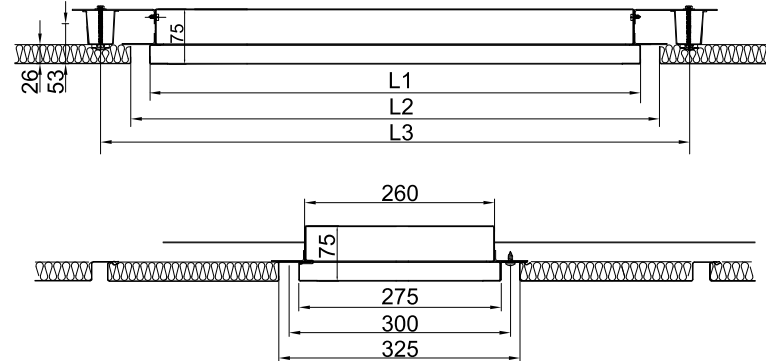
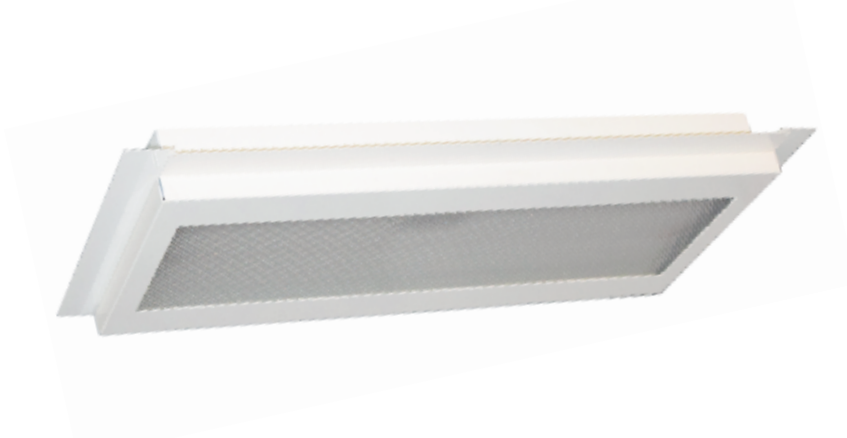
**OPTIONS**

- IP44 Model
- Emergency Battery kit
- Emergency 24VDC LED Module

CODE	VOLTAGE	FREQUENCY	WATTAGE	CCT	LUMEN
IONIAN LED-56-3	220-240V	50-60HZ	18W	3000K	2150LM
IONIAN LED-56-4	220-240V	50-60HZ	18W	4000K	2150LM
IONIAN LED-112-3	220-240V	50-60HZ	32W	3000K	4300LM
IONIAN LED-112-4	220-240V	50-60HZ	32W	4000K	4300LM

# IONIA DAMPA

LED IP22



## TECHNICAL DATA

### LIGHT OUTPUT

- 2200LM TO 4400LM

### MOUNTING

- Brackets for modular carrier No. 16

### LAMPS

- LED Module

### HOUSING

- Zinc coated steel.
- Powder coated RAL9010
- Diffuser made of acrylic

### CABLE ENTRY

- Cable inlets 20mm (x4)

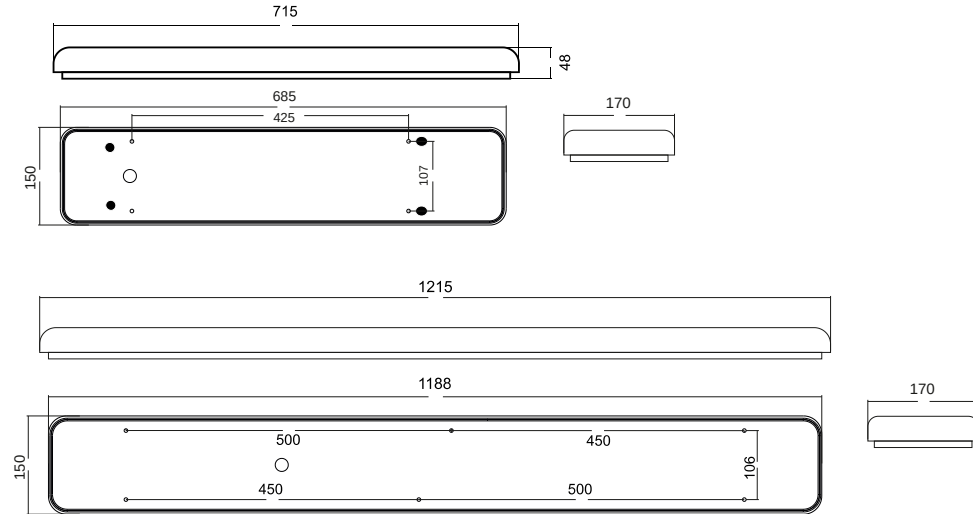
### OPTIONS

- IP44 Model
- Opal diffuser
- Emergency Battery kit
- Emergency 24VDC LED Module

CODE	VOLTAGE	FREQUENCY	WATTAGE	LUMEN	CCT	L1	L2	L3
IONIAN D LED-56-3	220-240V	50-60HZ	18W	2200LM	3000K	645	705	800
IONIAN D LED-56-4	220-240V	50-60HZ	18W	2200LM	4000K	645	705	800
IONIAN D LED-112-3	220-240V	50-60HZ	33W	4400LM	3000K	1250	1300	1400
IONIAN D LED-112-4	220-240V	50-60HZ	33W	4400LM	4000K	1250	1300	1400

# PRISMA

LED IP22



## TECHNICAL DATA

**LIGHT OUTPUT**  
2200LM TO 4400LM

**MOUNTING**

- 4 Mounting Holes 5.5mm

**LAMPS**

- LED Module

**HOUSING**

- Zinc coated steel. Powder coated RAL9010
- Diffuser made of opal acrylic

**CABLE ENTRY**

- Cable inlet 20mm

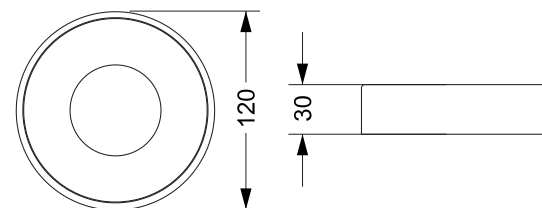
CODE	VOLTAGE	FREQUENCY	WATTAGE	CCT	LUMEN
PRISMA LED-56-3	220-240V	50-60HZ	18W	3000K	2200LM
PRISMA LED-56-4	220-240V	50-60HZ	18W	4000K	2200LM
PRISMA LED-112-3	220-240V	50-60HZ	33W	3000K	4400LM
PRISMA LED-112-4	220-240V	50-60HZ	33W	4000K	4400LM

# CY-120



High performance ceiling LED light.  
The geometrical figure of the circle guarantees extremely reduced dimensions and an innovative and particular "thinness".

Direct connection to main voltage 230V without driver.



## TECHNICAL DATA

**HOUSING**

- Aluminum

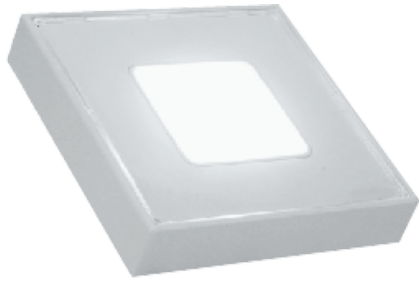
**OPTIONS**

- Dimmable
- RAL Color Selection

CODE	VOLTAGE	FREQUENCY	WATTAGE	CCT	CRI	LUMEN
CY 120-3	220-240V	50-60HZ	5W	3000K	>80	675LM
CY 120-4	220-240V	50-60HZ	5W	4000K	>80	675LM
CY 120-3-8	220-240V	50-60HZ	8W	3000K	>80	1080LM
CY 120-4-8	220-240V	50-60HZ	8W	4000K	>80	1080LM

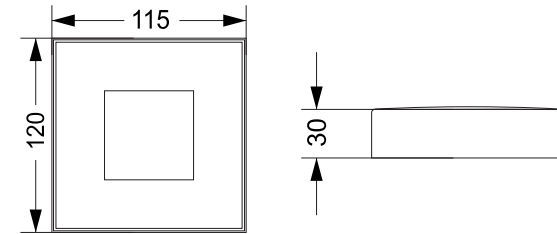
# SQ-115

LED IP44



High performance ceiling LED light.  
The geometrical figure of the square guarantees extremely reduced dimensions and an innovative and particular "thinness".

Direct connection to main voltage 230V without driver.



## TECHNICAL DATA

**HOUSING**

- Aluminum

**OPTIONS**

- Dimmable
- RAL Color Selection

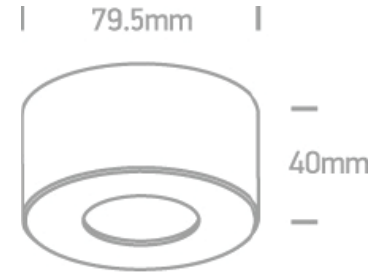
CODE	VOLTAGE	FREQUENCY	WATTAGE	CCT	CRI	LUMEN
SQ 115-3	220-240V	50-60HZ	5W	3000K	>80	675LM
SQ 115-4	220-240V	50-60HZ	5W	4000K	>80	675LM
SQ 115-3-8	220-240V	50-60HZ	8W	3000K	>80	1080LM
SQ 115-4-8	220-240V	50-60HZ	8W	4000K	>80	1080LM

# IRIS

- LED
- IP20
- 7W



- 7W COB LED Cylinder, available in matt white painting
- RAL colors available upon request



## TECHNICAL DATA

### HOUSING

- Aluminum

### OPTIONS

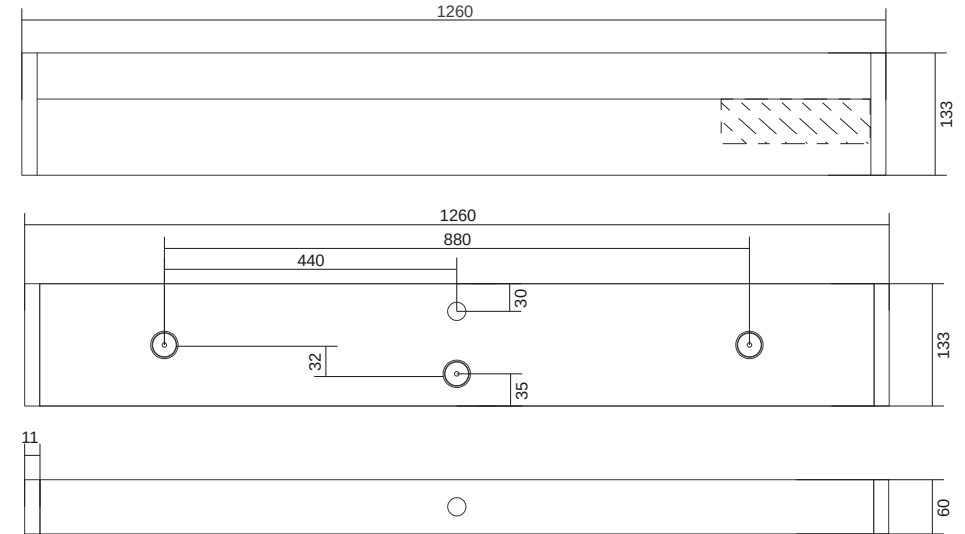
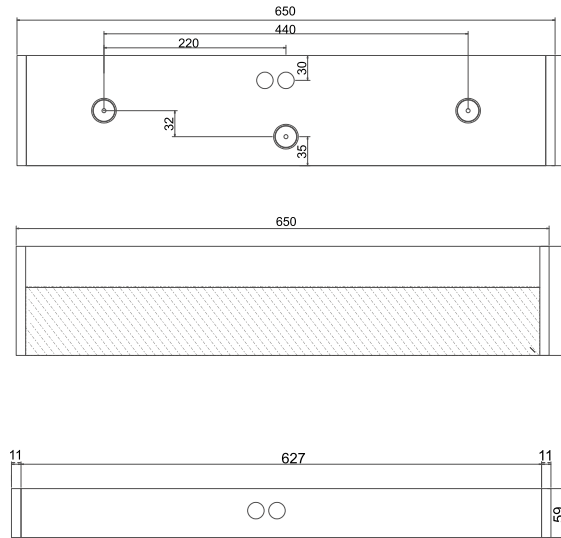
- Dimmable
- RAL Color Selection
- IP44



CODE	VOLTAGE	WATTAGE	CCT	CRI	LUMEN
IRIS/W/W	220-240V	7W	3000K	>80	500LM

# LUNA

LED IP22



## TECHNICAL DATA

### LIGHT OUTPUT

- 1100LM TO 2200LM

### MOUNTING

- 3 Mounting Holes 5.5mm

### LAMPS

- LED Module

### HOUSING

- Zinc coated steel. Powder coated RAL9010
- Diffuser made of opal acrylic

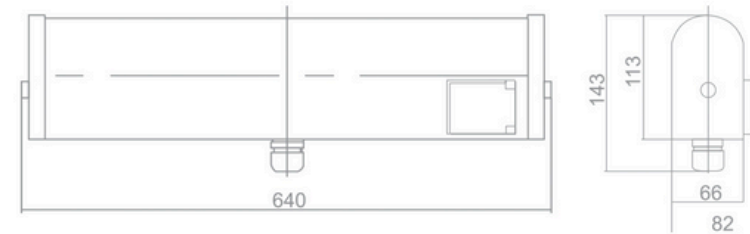
### CABLE ENTRY

- Cable inlets 20mm (x4)

CODE	VOLTAGE	FREQUENCY	WATTAGE	CCT	LUMEN
LUNA LED-56-3	220-240V	50-60HZ	9W	3000K	1100LM
LUNA LED-56-4	220-240V	50-60HZ	9W	4000K	1100LM
LUNA LED-112-3	220-240V	50-60HZ	18W	3000K	2200LM
LUNA LED-112-4	220-240V	50-60HZ	18W	4000K	2200LM

# WC LUMINARY

LED IP44



## TECHNICAL DATA

### ELECTRIC

- Flexible cable, Heat Resistant up to 105°C

### MOUNTING

- Mounting Holes 6 mm (x4)

### LAMPS

- Connection for LED Tubes

### HOUSING

- Aluminum, powder coated RAL9010
- Diffuser made of opal acrylic

### CABLE ENTRY

- 25mm cable inlet

### CODE

WC-LL-160

### VOLTAGE / FREQUENCY / WATTAGE

ACCORDING TO LED TUBE

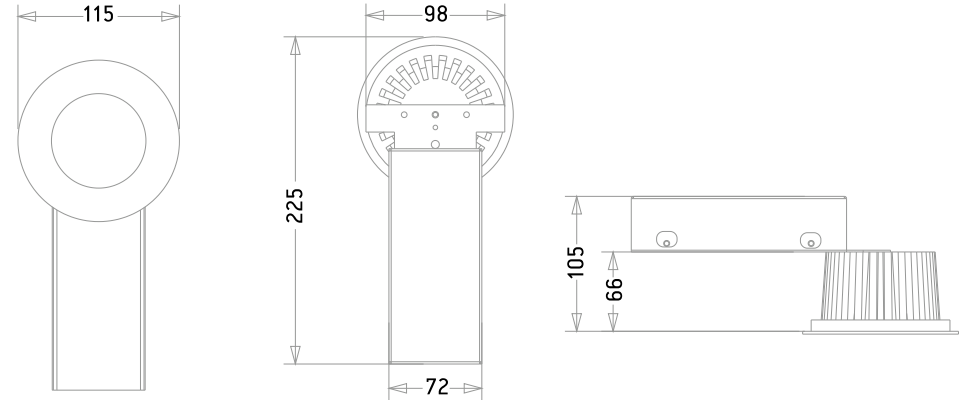


# AMADA

- LED
- IP44
- 10W



LED Downlight with reflector and changeable cover ring, for accommodation and public areas.



## TECHNICAL DATA

**HOUSING**

- Aluminum

**OPTIONS**

- Dimmable
- RAL Color Selection for ring
- 3h Backup Battery

**AVAILABLE LENS**

- 12°, 25°, 40°, 60°

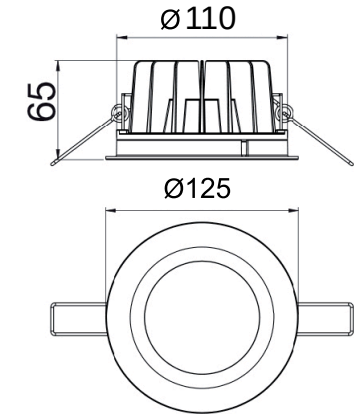
CODE	FREQUENCY	WATTAGE	CCT	LUMEN
AMADA LED-27	50-60HZ	10W	2700K	1300LM
AMADA LED-3	50-60HZ	10W	3000K	1300LM
AMADA LED-4	50-60HZ	10W	4000K	1300LM

# NORA

LED IP65



- High performance LED downlight, ideal for outdoor use.
- Extremely shallow recessed depth with side springs for easy installation.



## TECHNICAL DATA

**HOUSING**

- Aluminum

**DIFFUSER**

- Clear Safety Glass

**OPTIONS**

- Dimmable
- RAL Color Selection

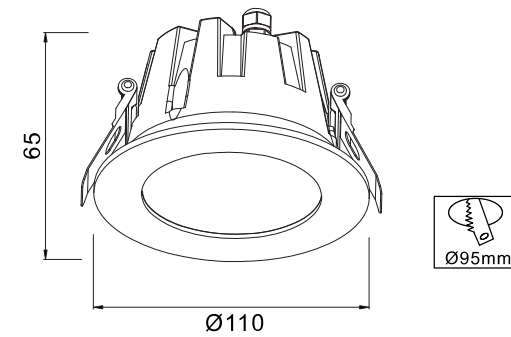
**AVAILABLE LENS**

- 21°, 36°, 49°

CODE	VOLTAGE	FREQUENCY	WATTAGE	CCT	CRI	LUMEN
NORA LED-3	220-240V	50-60HZ	10W	3000K	>80	1100LM
NORA LED-4	220-240V	50-60HZ	10W	4000K	>80	1100LM

# D1D1

LED IP65



- High performance LED downlight, ideal for outdoor use.
- Extremely shallow recessed depth with side springs for easy installation.

## TECHNICAL DATA

**HOUSING**

- Aluminum
- Ring AISI316

**DIFFUSER**

- Clear Safety Glass

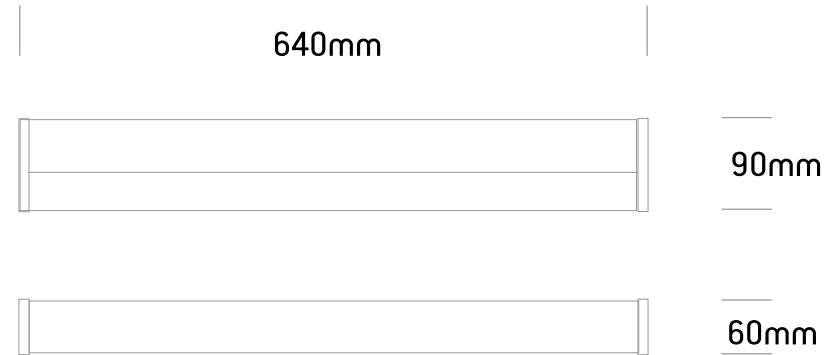
**OPTIONS**

- Dimmable
- RAL Color Selection

CODE	VOLTAGE	FREQUENCY	WATTAGE	CCT	CRI	LUMEN	BEAM
DIDI LED-3	220-240V	50-60HZ	10W	3000K	>80	1200LM	38°
DIDI LED-4	220-240V	50-60HZ	10W	4000K	>80	1200LM	38°

# CLEOPATRA

LED IP44



- IP44 bathroom light, ideal for mirror illumination, complete with T8 LED tube

## TECHNICAL DATA

### CONSTRUCTION

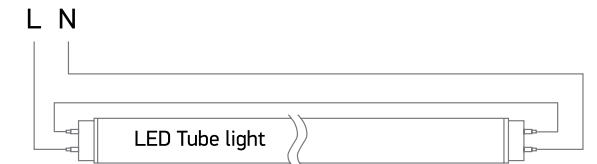
- Die cast

### DIFFUSER

- Frosted Acrylic

CODE	LAMHOLDER	LAMP	VOLTAGE / FREQUENCY / WATTAGE	FINISH
CLEOPATRA	G13	T8 LED 600MM	ACCORDING TO LED TUBE	CHROME

## WIRING DIAGRAM



DIMENSIONS

# CLEOPATRA B

LED IP44



- IP44 bathroom light, ideal for mirror illumination, complete with T8 LED tube

TECHNICAL DATA

CONSTRUCTION

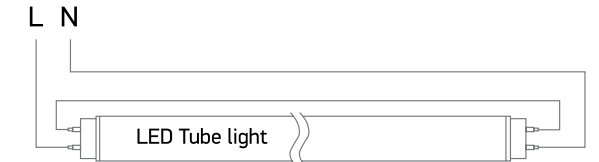
- Die cast

DIFFUSER

- Frosted Acrylic

CODE	LAMHOLDER	LAMP	VOLTAGE / FREQUENCY / WATTAGE	FINISH
CLEOPATRA	G13	T8 LED 600MM	ACCORDING TO LED TUBE	CHROME

WIRING DIAGRAM



BEHIND EVERY MARINE PROJECT

SEABRIGHT®  
MARINE BRIGHT SOLUTIONS

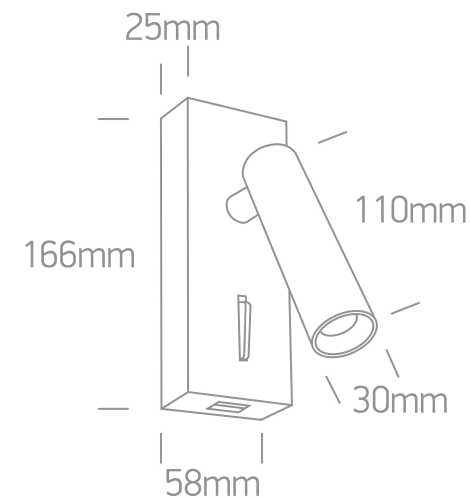


# TINOS



- LED
- IP20
- 3W

3W bedside wall light, with switch and USB Type A port, in black and white finish.



## TECHNICAL DATA

**HOUSING**

- Aluminium

**BEAM ANGLE**

36°

**USB**

- USB type A for charging

**LED COLOR**

- 3000K, CRI>80

CODE	VOLTAGE	FREQUENCY	WATTAGE	FINISH
TINOS/W/W	100-220V	50-60HZ	3W	WHITE
TINOS/B/W	100-220V	50-60HZ	3W	BLACK

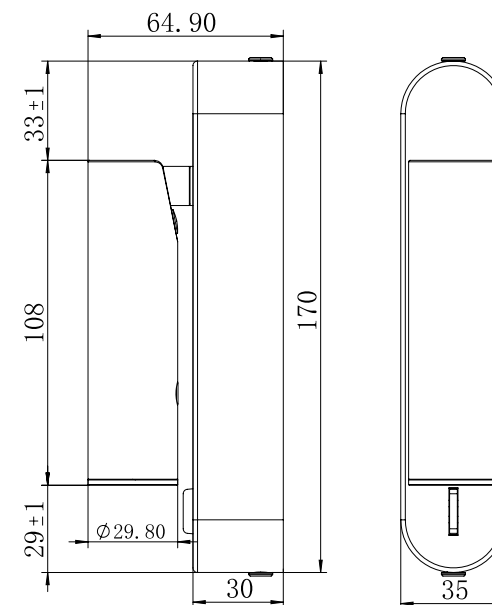
# TINOS

## TYPE C



- LED
- IP22
- 3W

3W bedside wall light with switch and USB Type C port in Black and White finish.



### TECHNICAL DATA

- |                |                   |                  |                           |
|----------------|-------------------|------------------|---------------------------|
| <b>HOUSING</b> | <b>BEAM ANGLE</b> | <b>LED COLOR</b> | <b>USB</b>                |
| • Aluminum     | 20°               | • 3000K, CRI>80  | • USB Type C for charging |

CODE	VOLTAGE	FREQUENCY	WATTAGE	FINISH
TINOS/C/W/W	220-240V	50-60HZ	3W	WHITE
TINOS/C/B/W	220-240V	50-60HZ	3W	BLACK



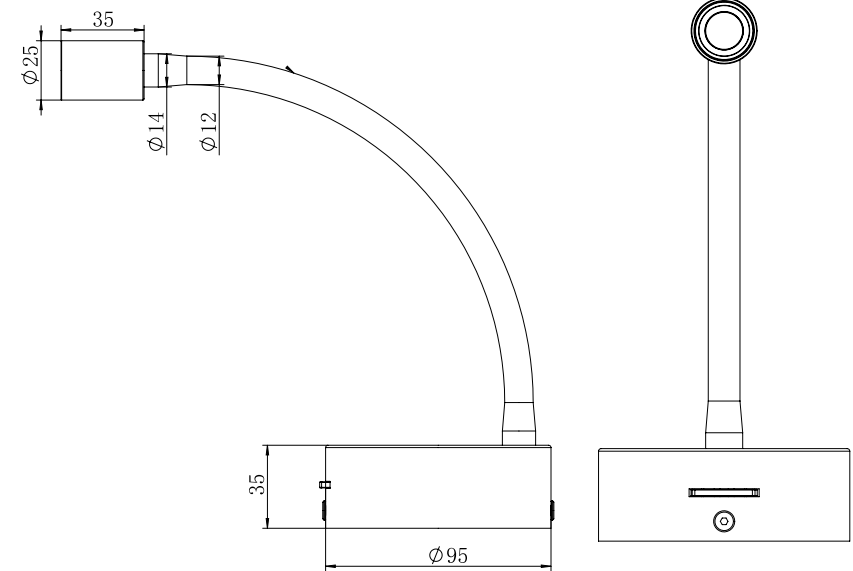
# IKAROS

- LED
- IP22
- 1,5W



- 1,5W LED Reading wall spot, ideal for bedside installation.
- Complies with standard EN60598-1 and any other specific standards.

## TECHNICAL DATA



**HOUSING**

- Aluminum

**BEAM ANGLE**

20°

**LED COLOR**

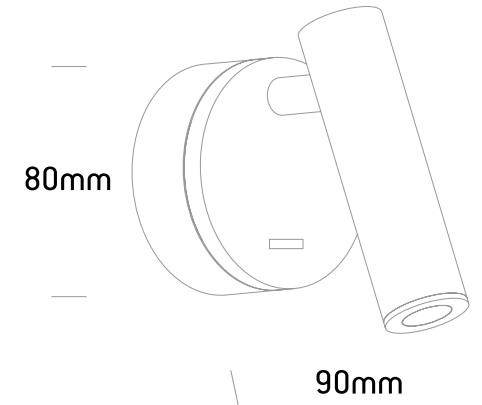
- 3000K, CRI>80

**USB**

- USB Type C for charging

CODE	VOLTAGE	FREQUENCY	WATTAGE	FINISH
IKAROS/W/W	220-240V	50-60HZ	1,5W	WHITE
IKAROS/B/W	220-240V	50-60HZ	1,5W	BLACK

# SYROS



3W bedside wall light with switch . Natural aluminium and White finish.

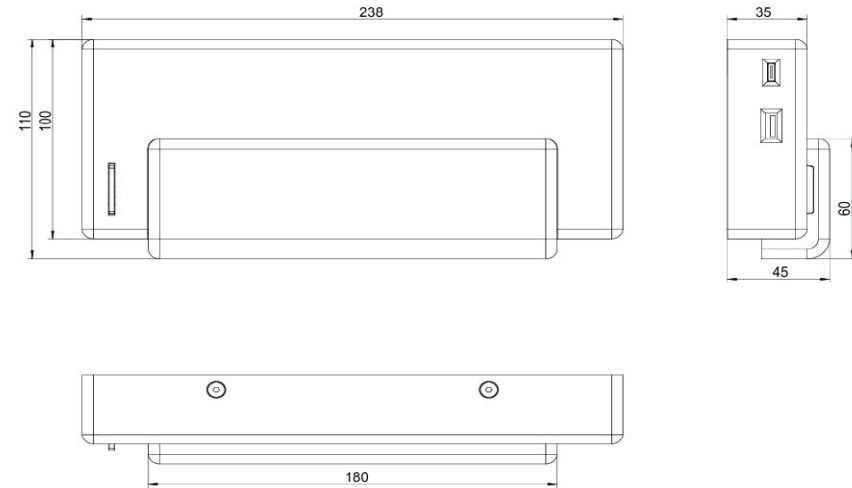
## TECHNICAL DATA

HOUSING	BEAM ANGLE	LED COLOR	USB
• Aluminum	36°	• 3000K, CRI>80	• USB Type A for charging

CODE	VOLTAGE	FREQUENCY	WATTAGE	FINISH
SYROS/AL/W	100-240V	50-60HZ	3W	NATURAL ALUMINIUM
SYROS/W/W	100-240V	50-60HZ	3W	WHITE

LED IP44 8W

# ATHINA



8W, dimmable , surface mounted light with switch and USB type A & USB type C ports.

## TECHNICAL DATA

HOUSING	BEAM ANGLE	USB	LUMEN	LED COLOR
• Polycarbonate	110°	• USB Type A & type C for charging	• 500LM	• 3000K to 4000k, CRI>80

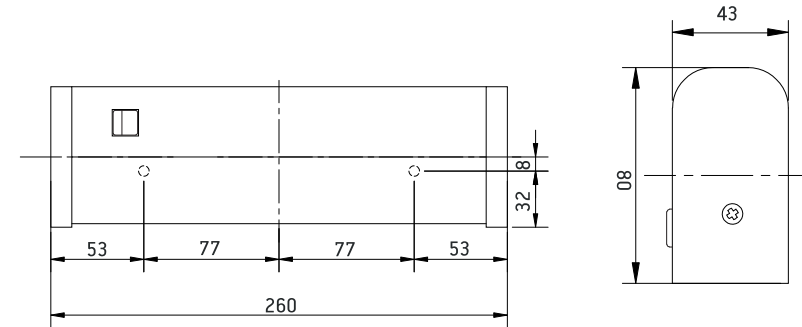
CODE	VOLTAGE	FREQUENCY	WATTAGE	FINISH
ATHINA/B	220-240V	50-60HZ	8W	BLACK
ATHINA/W	220-240V	50-60HZ	8W	WHITE

# CLIO LED

- LED
- IP20
- 5W



Surface luminary for use in cabins, with switch.



## TECHNICAL DATA

**LIGHT OUTPUT**

500LM

**MOUNTING**

- 2 Mounting Holes Ø 6mm

**LAMPS**

- LED Module

**HOUSING**

- Aluminium, powder coated
- Diffuser made of opal polycarbonate

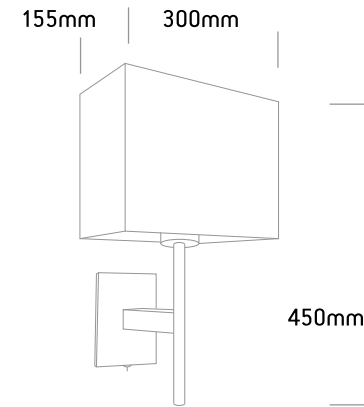
**CABLE ENTRY**

- 1X Cable inlet 20X13mm

CODE	VOLTAGE	FREQUENCY	WATTAGE	LED COLOR
CLIO LED-3	220-240V	50-60HZ	5W	3000K CRI>80
CLIO LED-4	220-240V	50-60HZ	5W	4000K, CRI>80

# DECO

LED IP20



## TECHNICAL DATA

**SWITCH**

- On/Off Switch

**SHADE**

- Metal & White fabric

**LAMP TYPE**

- E27, MAX 40W

**CODE**

DECO/A

DECO/B

**VOLTAGE**

CHROME

CHROME

**WATTAGE**

MAX 40W, E27 LAMP

MAX 40W, E27 LAMP

EMERGENCY LIGHTS



SEABRIGHT®  
MARINE BRIGHT SOLUTIONS

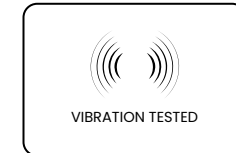
# POSEIDON

LED IP67

56-4-45 / 112-4-45



VOLTAGE	220-240V AC 50-60HZ
MAXIMUM POWER CONSUMPTION	18W (56-4-45) 33W (112-4-45)
BATTERY (NI-CD)	3.6V/3Ah (56-4-45) or 3.6V/4Ah (112-4-45)
BATTERY PROTECTION	From overcharge and full discharge
INDICATIONS-CONTROLS	Charge, Indication LED, Test button
CHARGING TIME	24H
MINIMUM AUTONOMOUS DURATION	180min
ILLUMINATION SOURCE	LED MODULE
ILLUMINATION (230V/EMERGENCY)	150LM (56-45-45) or 245LM (112-4-45)
DEGREES OF COVER PROTECTION	IP67



- Self testing Outdoor Emergency Luminaire

### MOUNTING

- Two holes Ø8 (additional mounting systems available, see the drawings)

### ELECTRIC

- Flexible cable, heat resistant up to 105°C (additional electrical systems available, please see the order codes table)

### CABLE ENTRY

- Two cable glands M20 and two stop plugs M20

### HOUSING

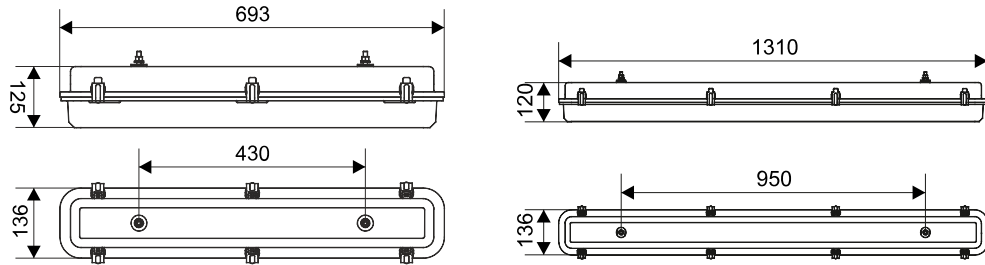
- Zinc coated steel, powder coated white RAL 9016 (stainless steel version available)
- Diffuser made of clear polycarbonate, UV stabilized (opal diffuser available)

### CONNECTION

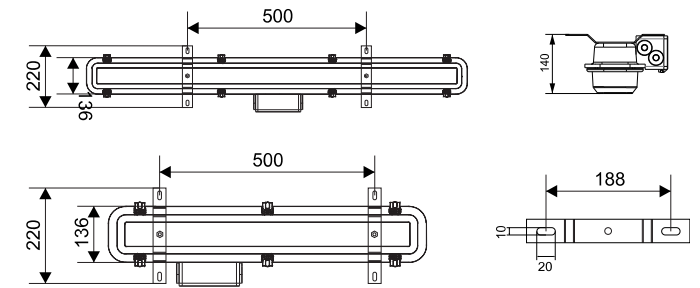
- Pass through wiring
- Junction box (optional)
- Pass through with Wieland watertight connector (optional)



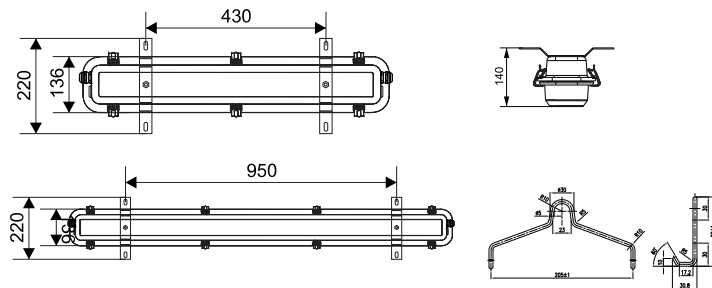
### M8X35



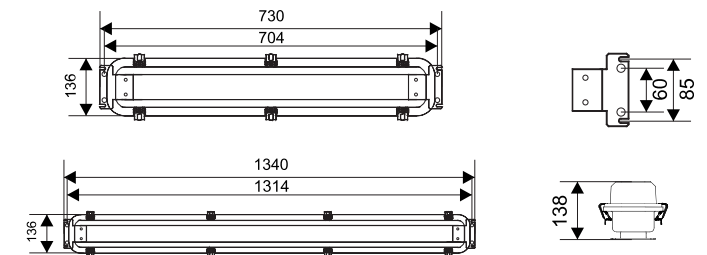
### CB-500



### CB

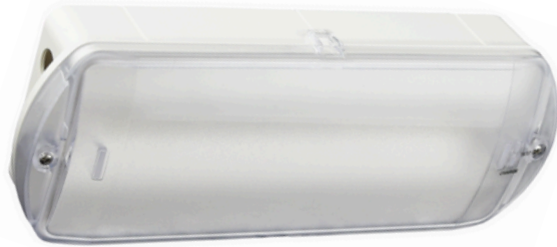


### RB



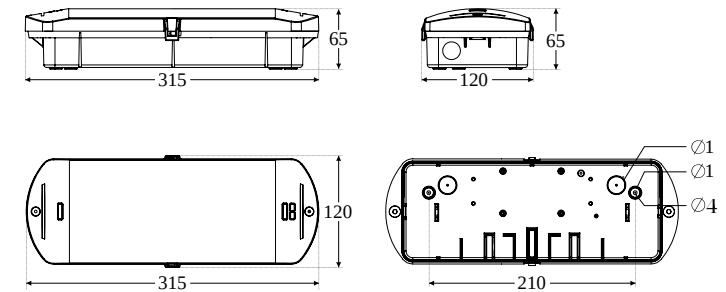
# EMW-5-3H

LED IP65



- Self testing Outdoor Emergency Luminaire

VOLTAGE	220-240V AC 50-60HZ
MAXIMUM POWER CONSUMPTION	5.2W/7,5VA
BATTERY (NI-CD)	3.6V/3Ah
BATTERY PROTECTION	From overcharge and full discharge
INDICATIONS-CONTROLS	Charge, Lamp Fault, Battery Fault LED
CHARGING TIME	24H
MINIMUM AUTONOMOUS DURATION	180min
ILLUMINATION SOURCE	28 White LEDs
ILLUMINATION (230V/EMERGENCY)	320LM / 230LM
DEGREES OF COVER PROTECTION	IP65



## TECHNICAL DATA

### LAMP

- LED Module

### MOUNTING

- Wall or Ceiling Installation

### ELECTRIC

- 220-240V, 50-60HZ
- 110V, 50-60HZ

### HOUSING

- Polycarbonate
- Diffuser made of clear polycarbonate

MORE OPTIONS AVAILABLE UPON REQUEST

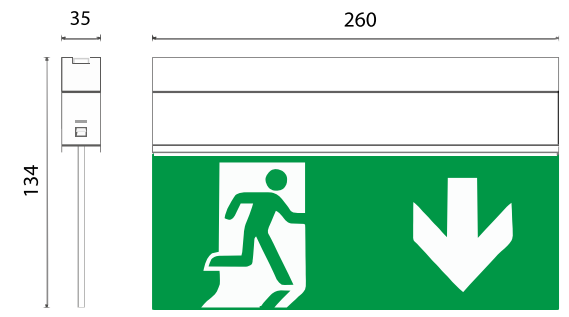


# EMS-3-3H



LED IP54

VOLTAGE	220-240V AC 50-60HZ
MAXIMUM POWER CONSUMPTION	3.9W/4,4VA
BATTERY (NI-CD)	3.6V/1.5Ah
BATTERY PROTECTION	From overcharge and full discharge
INDICATIONS-CONTROLS	Charge, LED Fault, Indication LED, Test button
CHARGING TIME	24H
MINIMUM AUTONOMOUS DURATION	180min
ILLUMINATION (230V/EMERGENCY)	80LM / 110LM
DEGREES OF COVER PROTECTION	IP54



- Self testing Emergency Luminary with LEDs for use to the indoor spaces of vessels.

## TECHNICAL DATA

**LAMP**

- LED Module

**MOUNTING**

- Wall or Ceiling Installation
- Flush mounted base available

**ELECTRIC**

- 220-240V, 50-60HZ
- 110V,50-60HZ (optional)

**HOUSING**

- Polycarbonate, Plexiglass

MORE OPTIONS AVAILABLE UPON REQUEST



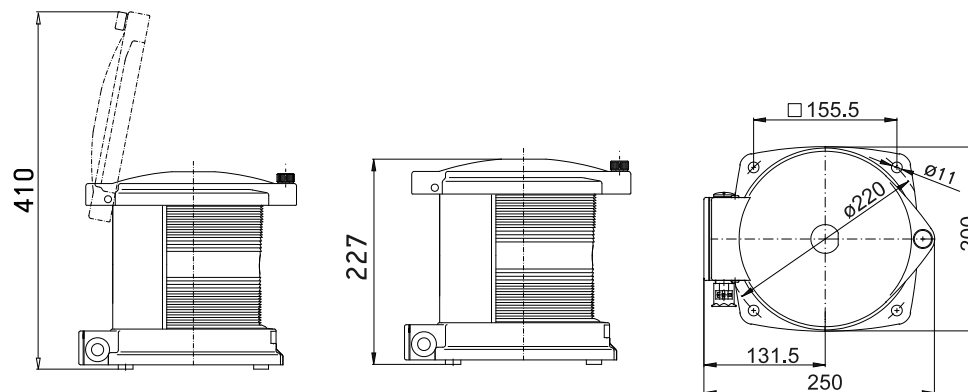
**EMS-FM**  
RECESSED FALSE CEILING BASE

# NAVIGATION LIGHTS



**SEABRIGHT®**  
MARINE BRIGHT SOLUTIONS

# 760 SERIES



## TECHNICAL DATA

### LIFETIME

- 50.000 hrs for single lanterns
- 100.000 hrs for double lanterns

### APPROVALS

- BSH
- DNC-GL
- UL 1104
- MED

### ELECTRIC

- 24VDC
- 115V AC
- 230VAC

### CABLE ENTRY

- Cable gland M20

### CONNECTION

- Junction box
- 1,5m preinstalled connection cable
- H07RNF 3X15mm (Optional)

### HOUSING

- Black polyamide, glass fibre reinforced, shock resistant, non corrosive, non magnetic, seawater resistant with stainless steel screen.

## SINGLE LANTERN

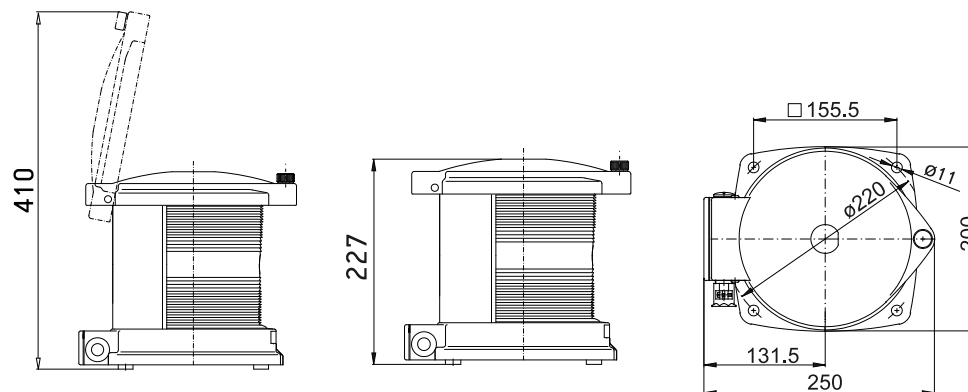
TYPE	CODE	COLOR	SECTOR	SIGNAL RANGE
STARBOARD	PB76110XX	GREEN	112,5°	3nm
PORT SIDE	PB76210XX	RED	112,5°	3nm
MASTHEAD	PB76310XX	WHITE	225°	6nm
STERN LIGHT	PB76410XX	WHITE	135°	3nm
MANOEUVERING	PB76617XX	WHITE	360°	5nm
SIGNAL LIGHT	PB76612XX	RED	360°	3nm
SIGNAL LIGHT	PB76610XX	WHITE	360°	3nm

## DOUBLE LANTERN

TYPE	CODE	COLOR	SECTOR	SIGNAL RANGE	XX	VOLTAGE	POWER
STARBOARD	PB76130XX	GREEN	112,5°	3nm	10	24 VDC	40W
PORT SIDE	PB76230XX	RED	112,5°	3nm	20	115 VAC	60W
MASTHEAD	PB76330XX	WHITE	225°	6nm	30	230 VAC	65W
STERN LIGHT	PB76430XX	WHITE	135°	3nm	40	24 VDC + 230 VAC	40W+65W
SIGNAL LIGHT	PB76632XX	RED	360°	3nm		(Double lanterns only)	
SIGNAL LIGHT	PB76633XX	GREEN	360°	3nm			

# 780 SERIES

LED



## TECHNICAL DATA

### LIFETIME

- 50.000 hrs for single lanterns
- 100.000 hrs for double lanterns

### APPROVALS

- BSH
- DNC-GL
- UL 1104
- MED

### ELECTRIC

- 24VDC
- 115V AC
- 230VAC

### CABLE ENTRY

- Cable gland M20

### CONNECTION

- Junction box
- 1,5m preinstalled connection cable
- H07RNF 3X15mm (Optional)

### HOUSING

- Black polyamide, glass fibre reinforced, shock resistant, non corrosive, non magnetic, seawater resistant with stainless steel screen.

### SINGLE LANTERN

### DOUBLE LANTERN

TYPE	CODE	COLOR	SECTOR	SIGNAL RANGE	POWER	TYPE	CODE	COLOR	SECTOR	SIGNAL RANGE	POWER	XX	VOLTAGE
STARBOARD	PB78110XX	GREEN	112,5°	3nm	5W	STARBOARD	PB78130XX	GREEN	112,5°	3nm	2X5W	10	24 VDC
PORT SIDE	PB78210XX	RED	112,5°	3nm	3W	PORT SIDE	PB78230XX	RED	112,5°	3nm	2X5W	20	115 VAC
MASTHEAD	PB78310XX	WHITE	225°	6nm	17W	MASTHEAD	PB78330XX	WHITE	225°	6nm	2X17W	30	230 VAC
STERN LIGHT	PB78410XX	WHITE	135°	3nm	3W	STERN LIGHT	PB78430XX	WHITE	135°	3nm	2X3W	40	24 VDC + 230 VAC
MANOEUVERING	PB78617XX	WHITE	360°	5nm	18W	SIGNAL LIGHT	PB78632XX	RED	360°	3nm	2X6W		(Double lanterns only)
SIGNAL LIGHT	PB78612XX	RED	360°	3nm	6W	SIGNAL LIGHT	PB78633XX	GREEN	360°	3nm	2X10W		
SIGNAL LIGHT	PB78610XX	WHITE	360°	3nm	8W								



SEABRIGHT®

MARINE BRIGHT SOLUTIONS



# NLS 3000



- Navigation control panel for conventional & LED lanterns.

## TECHNICAL DATA

### MOUNTING

- Console mounting, both in touch screen and button screen version.

### APPROVALS

- GL Marine approval

### OUTPUTS

- 8-16-24-23-40-48 monitored outputs

### PROTECTION

- IP44 Ingress protection

### NLS 3000 MM01-E MAIN MODULE

- 230V/115V AC or 24V DC
- Switching main and reserve supply
- Supply and distribution of the modules for bus system
- 2 relay outputs for signaling/ 2 inputs for signaling op coupler
- Optional operator panel with LCD display
- Interface for data module (FMS 3000 DT01-E)

### NLS 3000 LM08-E LANTERN MODULE 8-LINE

- 8 monitored, switched and parties secured lantern circuits
- Automatic change over from main to emergency supply

### NLS 3000 LM02-E LANTERN MODULE 2-LINE

- 2 monitored, switched and parties secured lantern circuits
- Automatic change over from main to emergency supply

### NLS 3000 BK01-E CONVENTIONAL OPERATOR PANEL (MIMIC)

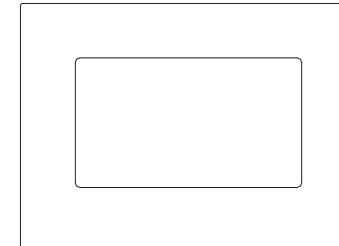
- Ship's mimic diagram with 7 LEDs for the main lanterns
- Display and activation for up to 48 single lanterns
- 4x buttons for special lantern functions
- Backlit key bank labels (dimmmable)

### NLS 3000 BG01-E GRAPHICALLY OPERATOR PANEL (TOUCH SCREEN)

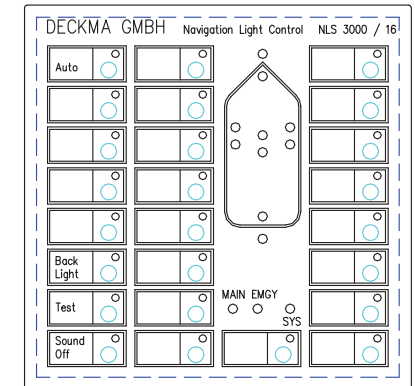
- Graphics display with touch screen for operation
- Customized JPG pictures for lantern display

### NLS 3000 VM01-E VDR-MODULE

- Connection to the VDR



Front plate	Housing	Panel cut out
144 x 105,5	135 x 96,5	138 x 99,5



	Front plate	Housing	Panel cut out
NLS 3000 / 8	144x111,5	135x102,5	138x105,5
NLS 3000 / 16	144x144	135x135	138x138
NLS 3000 / 24	144x176,5	135x167,5	138x170,5
NLS 3000 / 32	144x209	135x200	138x203
NLS 3000 / 40	144x241,5	135x232,5	138x235,5
NLS 3000 / 48	144x274	135x265	138x268

All measurements are in mm

### NLS 3000 SM01-E INTERFACE MODULE

- Connection to the ship automation system

### FMS 3000 DT01-E DATA MODULE

- Module to manage and manipulate the data on the SD card

BRASS

LIGHTING FIXTURES & ELECTRICAL EQUIPMENT

# BRASS LIGHTING



### APPLICATION AREA

- Brass Lights for engine rooms, weather exposed areas, cargo holds, decks, stores, workshops, industrial areas.

### DESIGN

- According to the rules of international classification societies, VDE and IEC

### ELECTRIC

- 230V 50 OR 60HZ

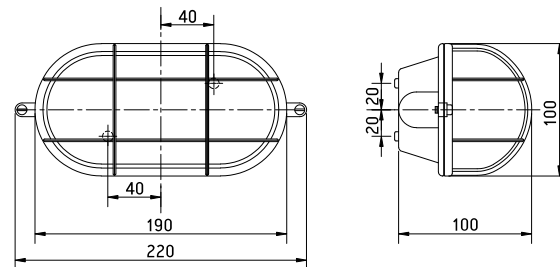
### CABLE ENTRY

- Please see the drawings

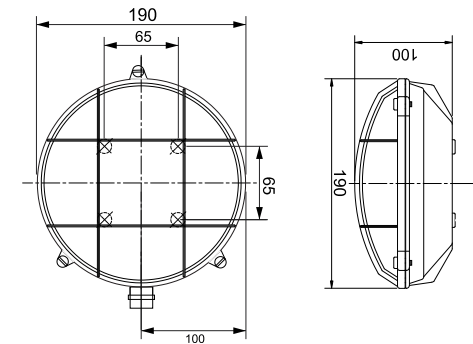
### HOUSING

- Body made of brass
- Diffuser made of glass

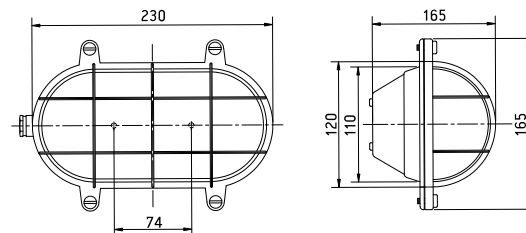
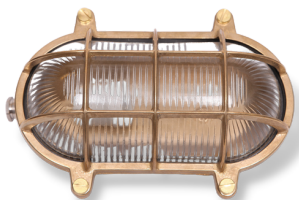
53-01



54-01



53-03



# BRASS ELECTRICAL EQUIPMENT

LED IP56

## APPLICATION AREA

- Brass Lights for engine rooms, weather exposed areas, cargo holds, decks, stores, workshops, industrial areas.

## DESIGN

- According to the rules of international classification societies, VDE and IEC

## ELECTRIC

- 230V 50 OR 60HZ

## CABLE ENTRY

- Please see the drawings

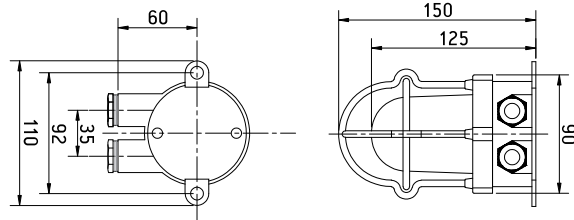
## HOUSING

- Body made of brass
- Diffuser made of glass

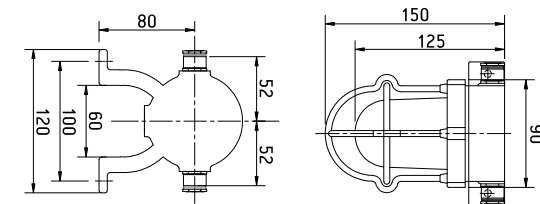
## LAMP-HOLDER

- E27

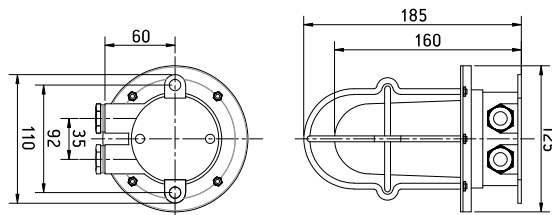
55-00



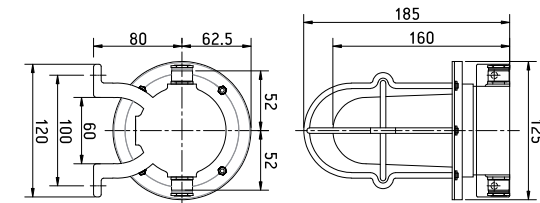
56-00



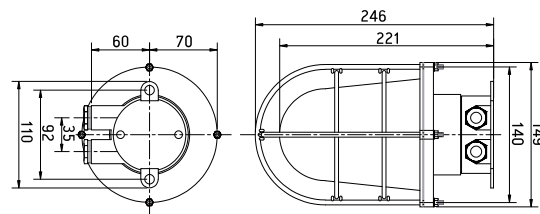
55-01



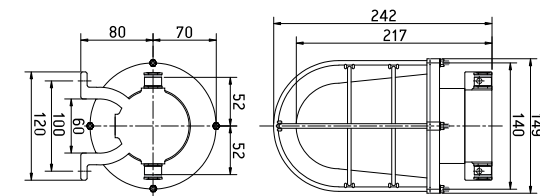
56-01



55-02



56-02



# BRASS ELECTRICAL EQUIPMENT

IP56

### APPLICATION AREA

- Brass Lights for engine rooms, weather exposed areas, cargo holds, decks, stores, workshops, industrial areas.

### DESIGN

- According to the rules of international classification societies, VDE and IEC

### ELECTRIC

- 230V 50 OR 60HZ

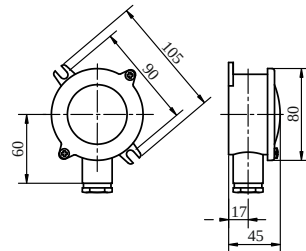
### CABLE ENTRY

- M24X1,5

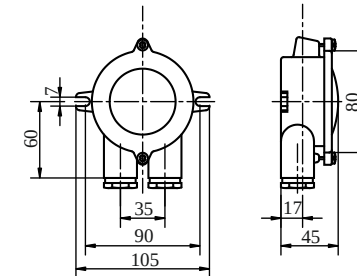
### HOUSING

- Body made of brass

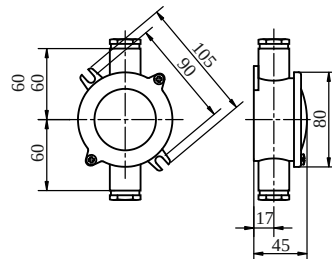
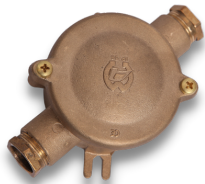
51-01



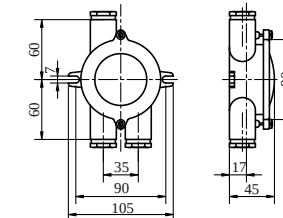
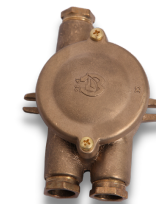
51-02



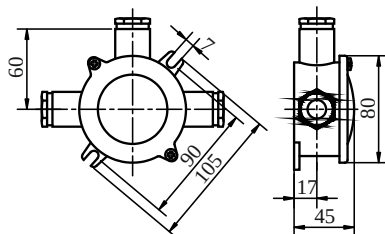
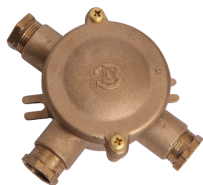
51-11



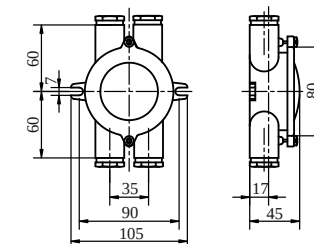
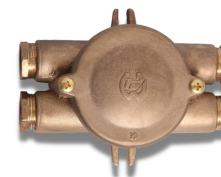
51-21



51-111



51-22



# BRASS ELECTRICAL EQUIPMENT

IP56

### APPLICATION AREA

- Brass Lights for engine rooms, weather exposed areas, cargo holds, decks, stores, workshops, industrial areas.

### DESIGN

- According to the rules of international classification societies, VDE and IEC

### ELECTRIC

- 230V 50 OR 60HZ

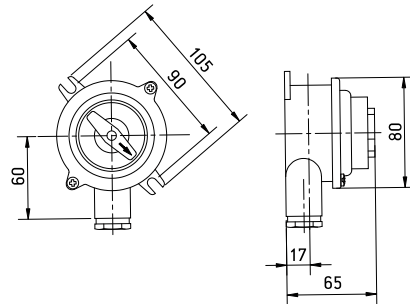
### CABLE ENTRY

- M24X1,5

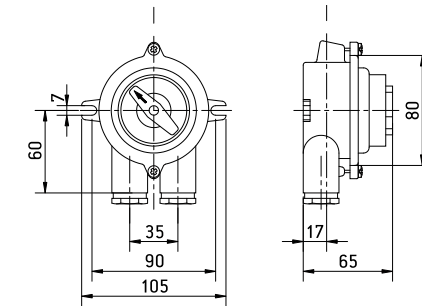
### HOUSING

- Body made of brass

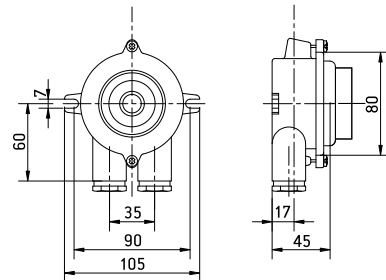
52-01



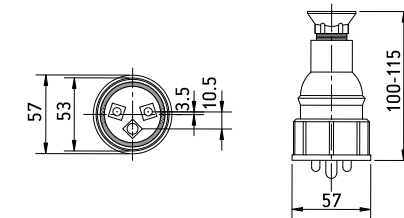
52-02



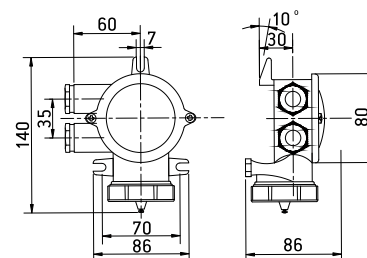
52-12



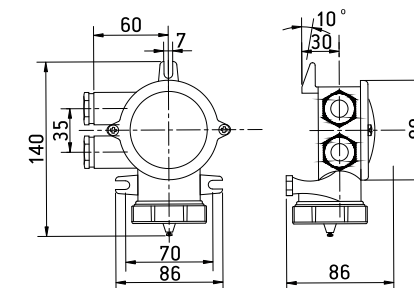
52-30



52-432



52-32



SEABRIGHT®

MARINE BRIGHT SOLUTIONS

M A R I N E   B R I G H T   S O L U T I O N S

 +30 210 40 82 208  sales@seabright.gr  www.seabright.gr

 51, Vasilikon & Imittou str. 18540, Piraeus, Greece